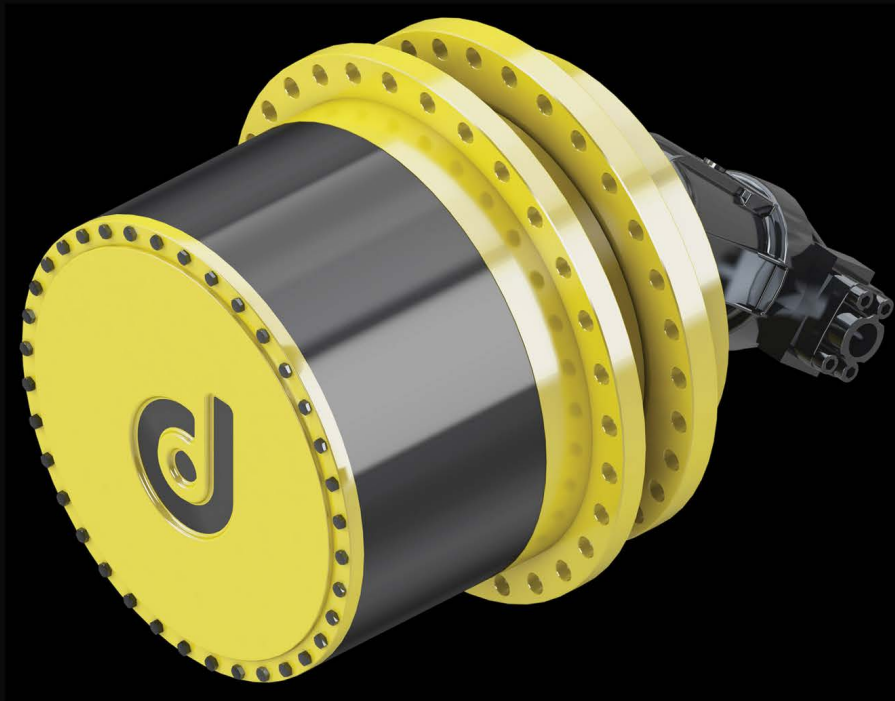


Planetary Track Drives



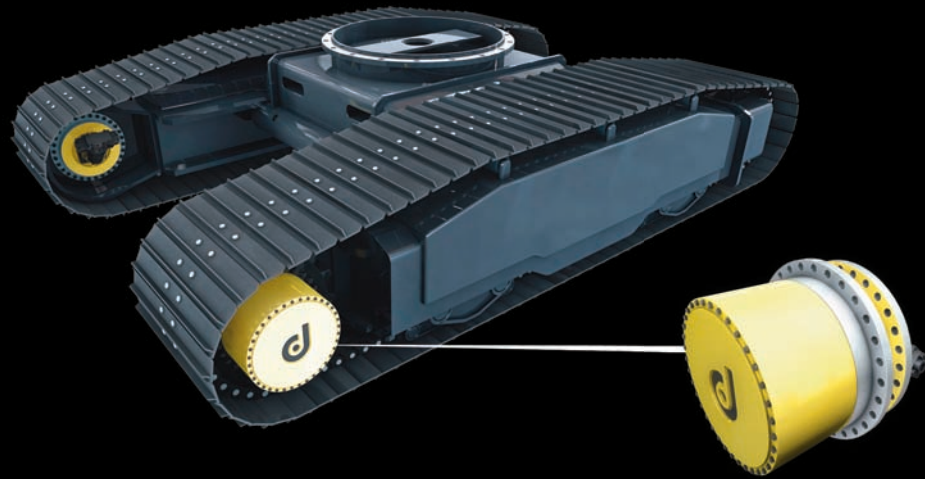
EH Series



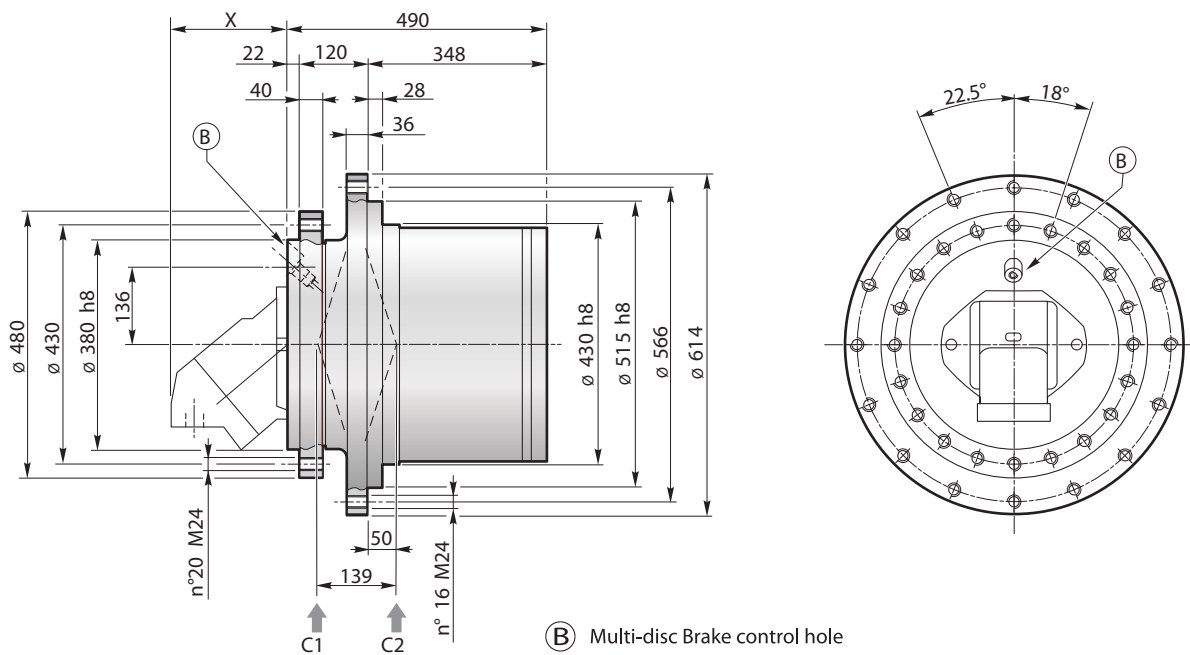
C3

© 2020 Dinamic Oil S.P.A. All Rights Reserved

 ***dinamic oil***



Track drives



Equipped with Hydraulic motor

VOAC F12-60	X = 146	VOAC F12-80	X = 157	VOAC F12-110	X = 175
SAUER 51C060	X = 207	SAUER 51C080	X = 212	SAUER 51C110	X = 219

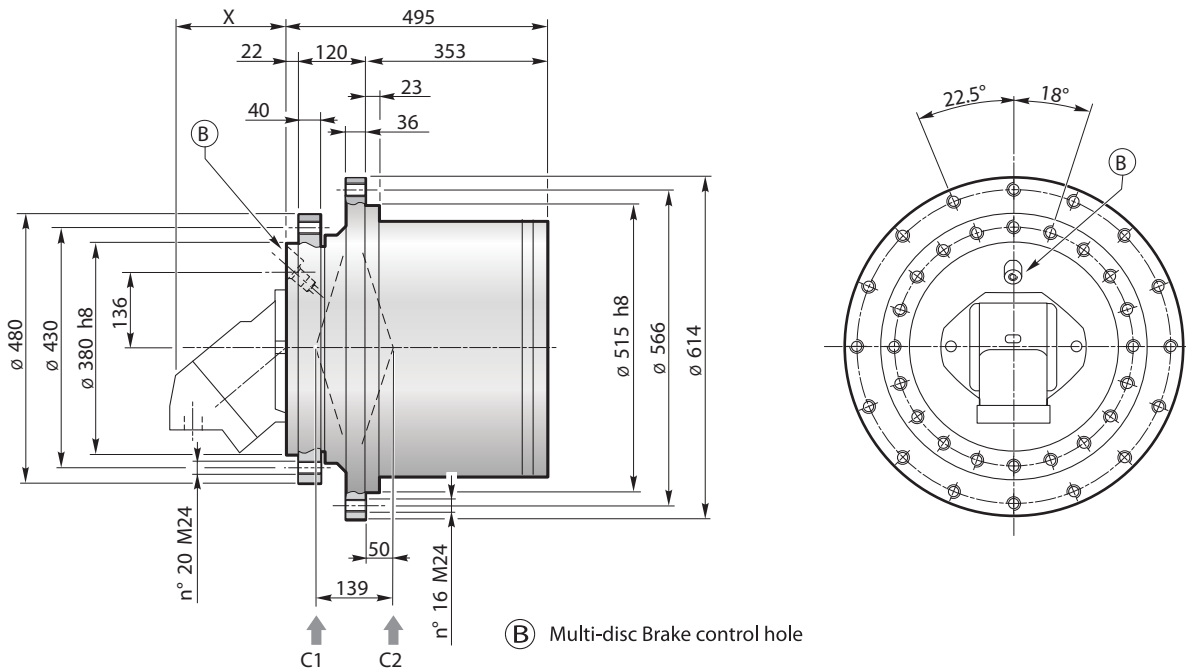
Different input execution available on demand.

Output dimension

Maximum output torque	Capacity of bearings		Weight without motor	Oil Quantity	Brake torque	Opening pressure	Max. brake pressure
	Cd dynamic [kN]	C0 static [kN]					
[Nm]			[kg]	[liters]	[Nm]	[bar]	[bar]
100000	512	1080	410	6.5	1500÷460	42±17	300

Effective Reduction Ratio

76.1	86	101.3	114.4	124.2	132.4	140.2	153.9
173.7	185.4	209.3					



Equipped with Hydraulic motor

VOAC F12-80	X = 157	VOAC F12-110	X = 175		
SAUER 51C080	X = 212	SAUER 51C110	X = 219	SAUER 51C160	X = 240

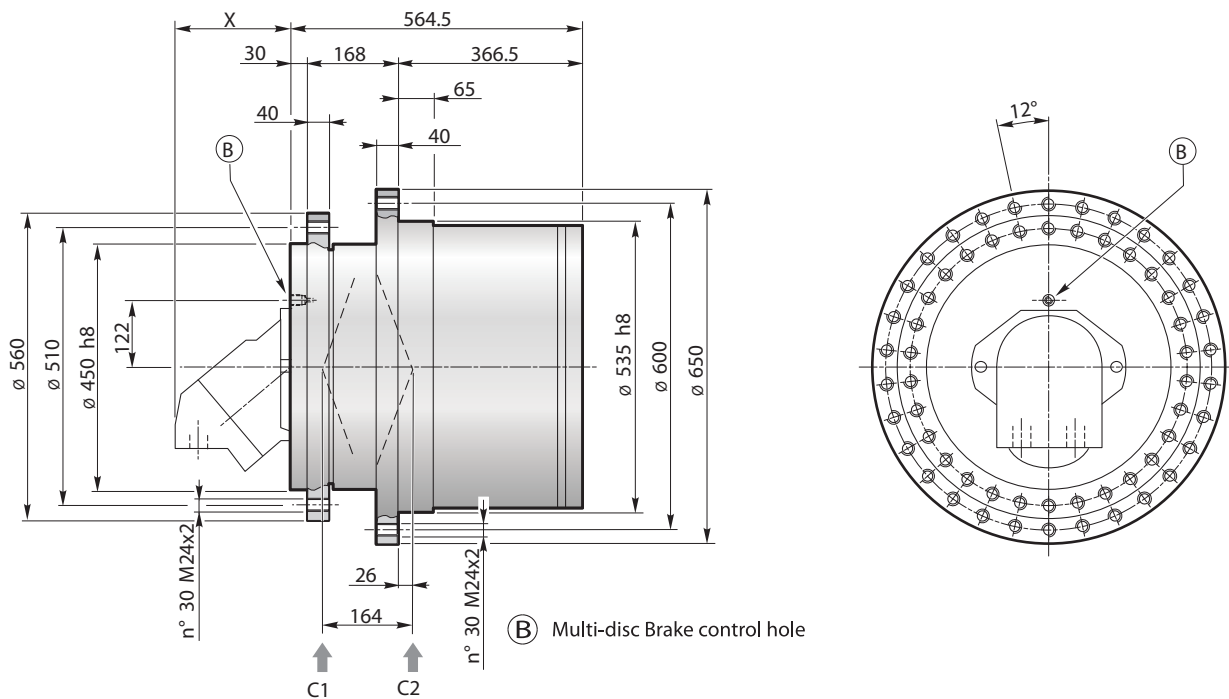
Different input execution available on demand.

Output dimension

Maximum output torque	Capacity of bearings		Weight without motor	Oil Quantity	Brake torque	Opening pressure	Max. brake pressure
	Cd dynamic [kN]	C0 static [kN]					
[Nm]			[kg]	[liters]	[Nm]	[bar]	[bar]
150000	512	1080	440	7.5	2200÷650	42÷17	300

Effective Reduction Ratio

76.1	86	101.3	114.4	124.2	131	140.2	149
168.1	175.3	197.8	214.8	242.3			



Equipped with Hydraulic motor

VOAC F12-110	X = 175	VOAC F11-150 CETOP	X = 307
SAUER 51C110	X = 219	SAUER 51C160	X = 240

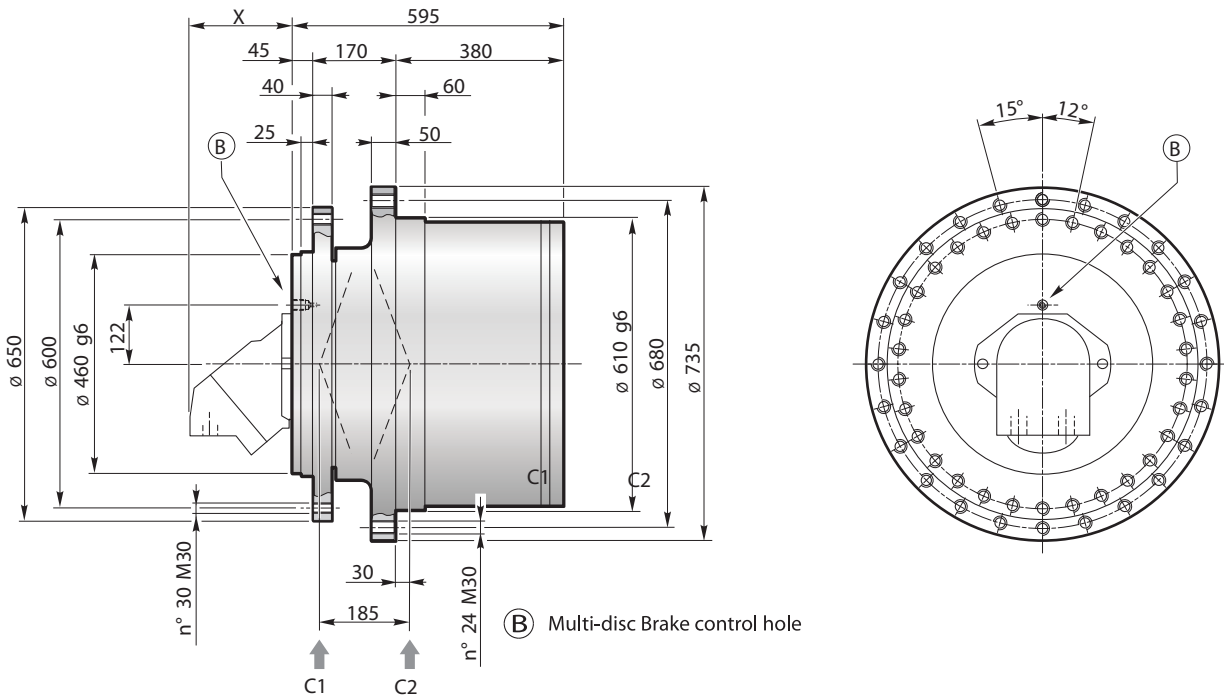
Different input execution available on demand.

Output dimension

Maximum output torque [Nm]	Capacity of bearings		Weight without motor [kg]	Oil Quantity [liters]	Brake torque [Nm]	Opening pressure [bar]	Max. brake pressure [bar]
	Cd dynamic [kN]	CO static [kN]					
170000	765	1660	680	11.5	2200÷700	50÷20	300

Effective Reduction Ratio

85.2	96.2	109.2	123.2	141.7	160	182.1	188.4
212.6	227.8	257.1					



Equipped with Hydraulic motor

VOAC F11-150 CETOP	X = 307	VOAC F11-250	X = 431
SAUER 51C160	X = 239	SAUER 51V250	X = 460

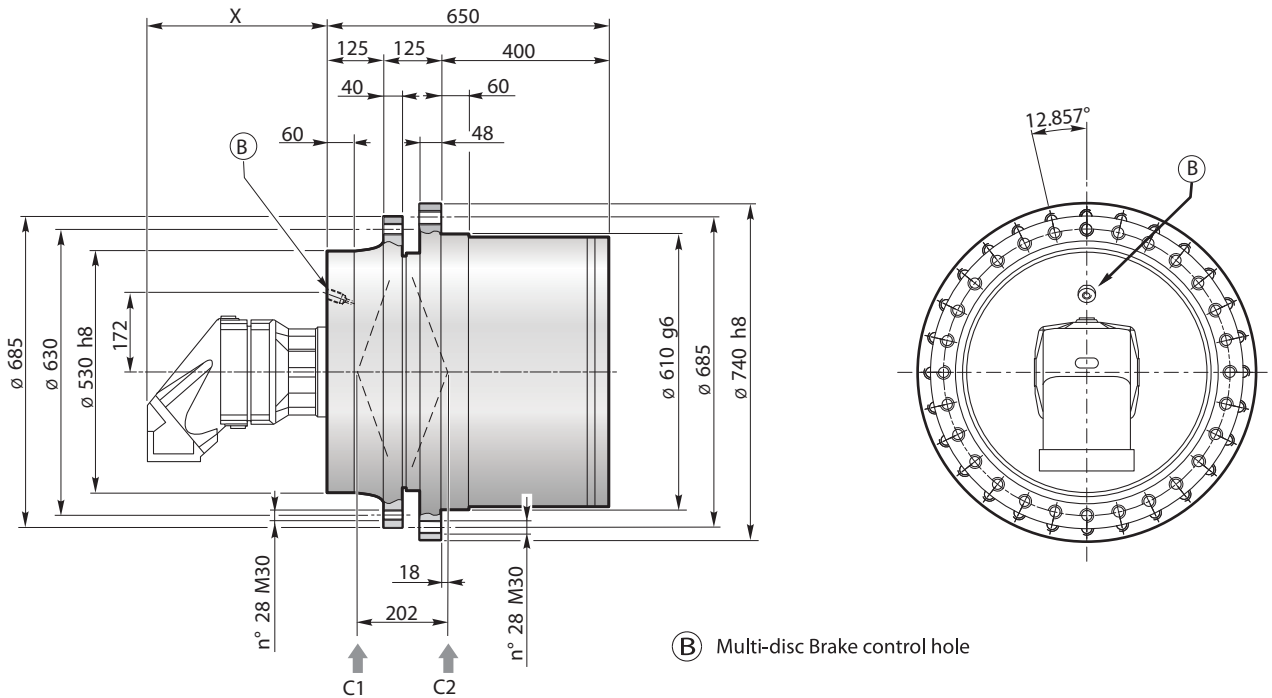
Different input execution available on demand.

Output dimension

Maximum output torque [Nm]	Capacity of bearings		Weight without motor [kg]	Oil Quantity [liters]	Brake torque [Nm]	Opening pressure [bar]	Max. brake pressure [bar]
	Cd dynamic [kN]	CO static [kN]					
240000	765	1660	880	15	2350÷950	50±20	300

Effective Reduction Ratio

86.6	97.6	112.6	127.1	142.7	151.9	161.1	168.1
182.3	211	223.3	252				



Ⓑ Multi-disc Brake control hole

Equipped with Hydraulic motor

VOAC F11-250	X = 431		
SAUER 51V250	X = 460	SAUER 51C160	X = 239

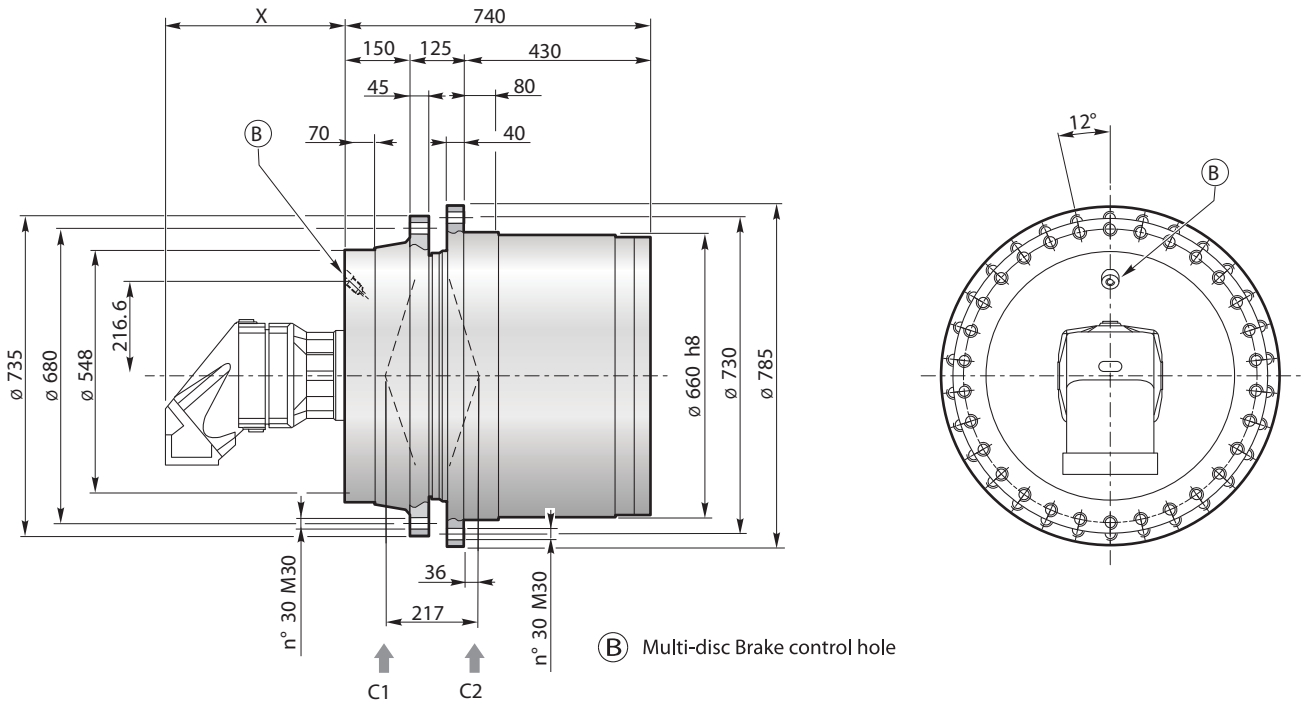
Different input execution available on demand.

Output dimension

Maximum output torque [Nm]	Capacity of bearings		Weight without motor [kg]	Oil Quantity [liters]	Brake torque [Nm]	Opening pressure [bar]	Max. brake pressure [bar]
	Cd dynamic [kN]	CO static [kN]					
280000	1080	2360	980	18	2500÷1100	50÷20	300

Effective Reduction Ratio

86.6	97.6	112.6	127.1	142.7	151.9	161.1	168.1
182.3	211	223.3	252				



Equipped with Hydraulic motor

VOAC F11-250	X = 431
SAUER 51V250	X = 460

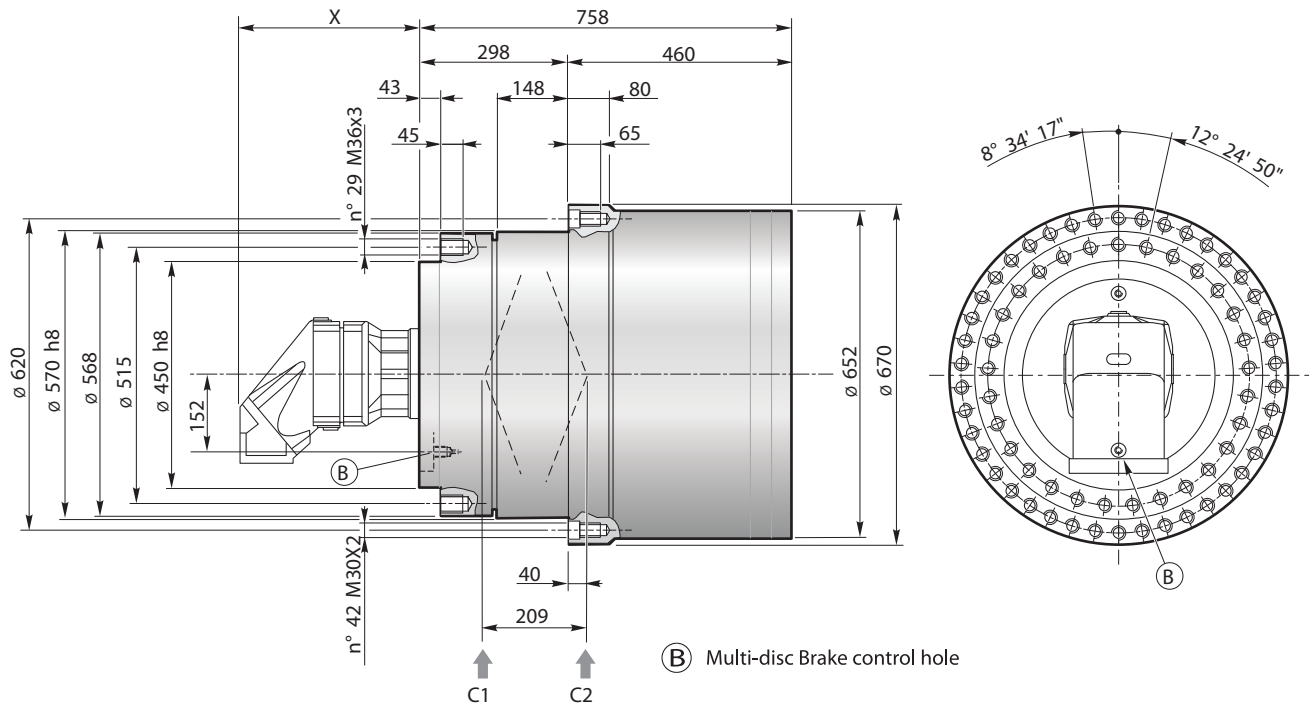
Different input execution available on demand.

Output dimension

Maximum output torque [Nm]	Capacity of bearings		Weight without motor [kg]	Oil Quantity [liters]	Brake torque [Nm]	Opening pressure [bar]	Max. brake pressure [bar]
	Cd dynamic [kN]	CO static [kN]					
350000	1120	2550	1280	21	3550÷1350	40±20	300

Effective Reduction Ratio

86.6	97.6	112.6	127.1	142.7	151.9	161.1	182.3
211	223.3	252					



Equipped with Hydraulic motor

VOAC F11-250	X = 431
SAUER 51V250	X = 460

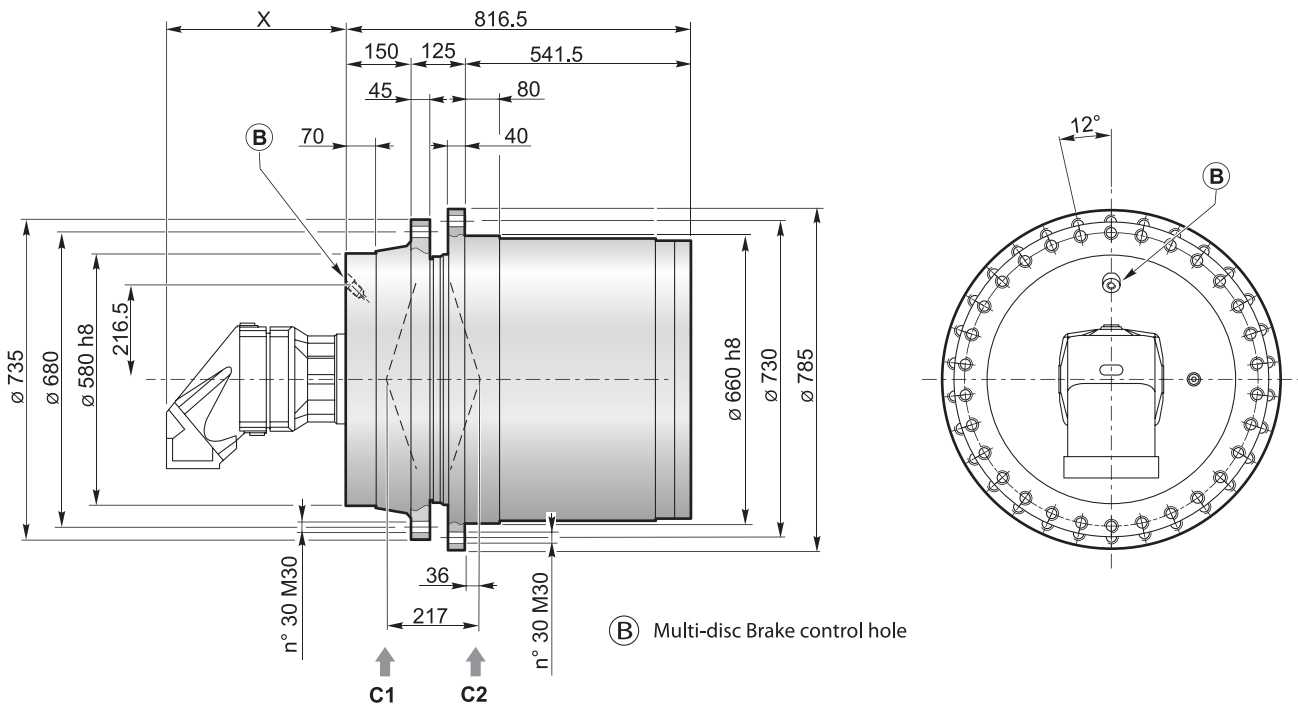
Different input execution available on demand.

Output dimension

Maximum output torque [Nm]	Capacity of bearings		Weight without motor [kg]	Oil Quantity [liters]	Brake torque [Nm]	Opening pressure [bar]	Max. brake pressure [bar]
	Cd dynamic [kN]	CO static [kN]					
350000	1120	2550	1280	25	3550±1350	40±20	300

Effective Reduction Ratio

86.6	97.6	112.6	127.1	142.7	151.9	161.1	182.3
211	223.3	252					



Equipped with Hydraulic motor

VOAC F11-250	X = 431
SAUER 51V250	X = 460

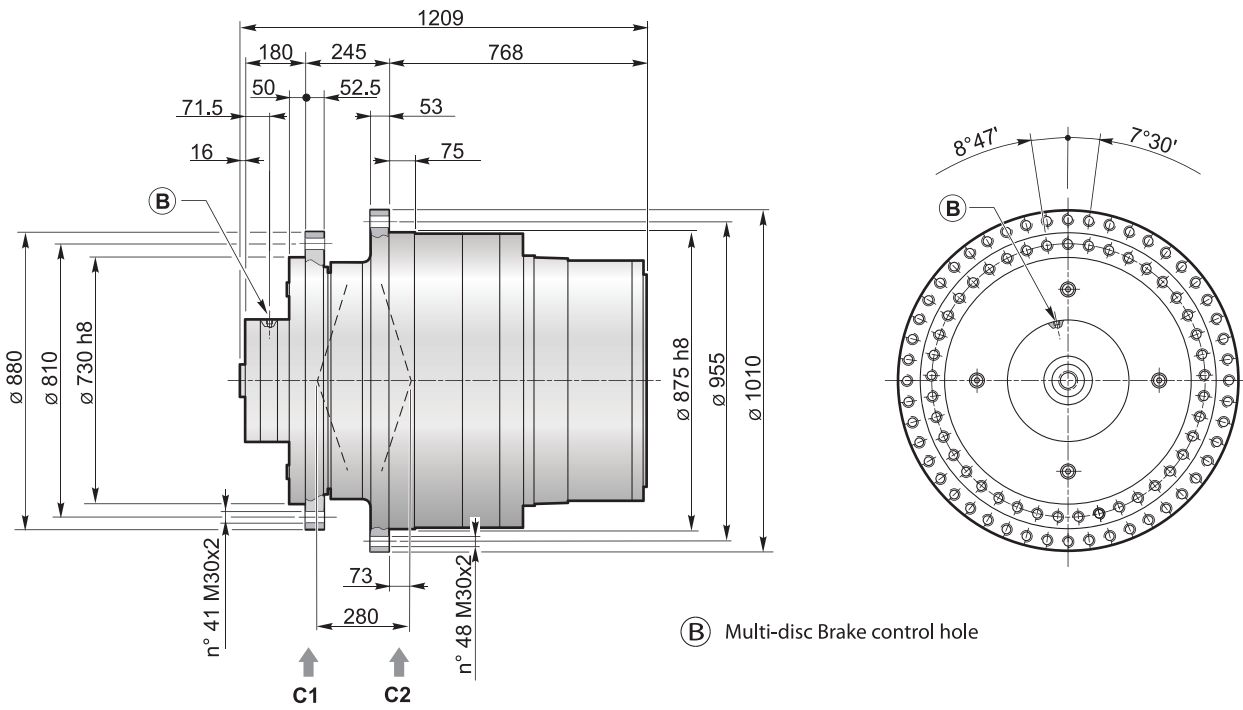
Different input execution available on demand.

Output dimension

Maximum output torque [Nm]	Capacity of bearings		Weight without motor [kg]	Oil Quantity [liters]	Brake torque [Nm]	Opening pressure [bar]	Max. brake pressure [bar]
	Cd dynamic [kN]	CO static [kN]					
450000	1120	2550	1560	24	3750÷1500	40±20	300

Effective Reduction Ratio

85.2	95.9	110.7	132.3	140.3	158.8	183.8	219.6
------	------	-------	-------	-------	-------	-------	-------



(B) Multi-disc Brake control hole

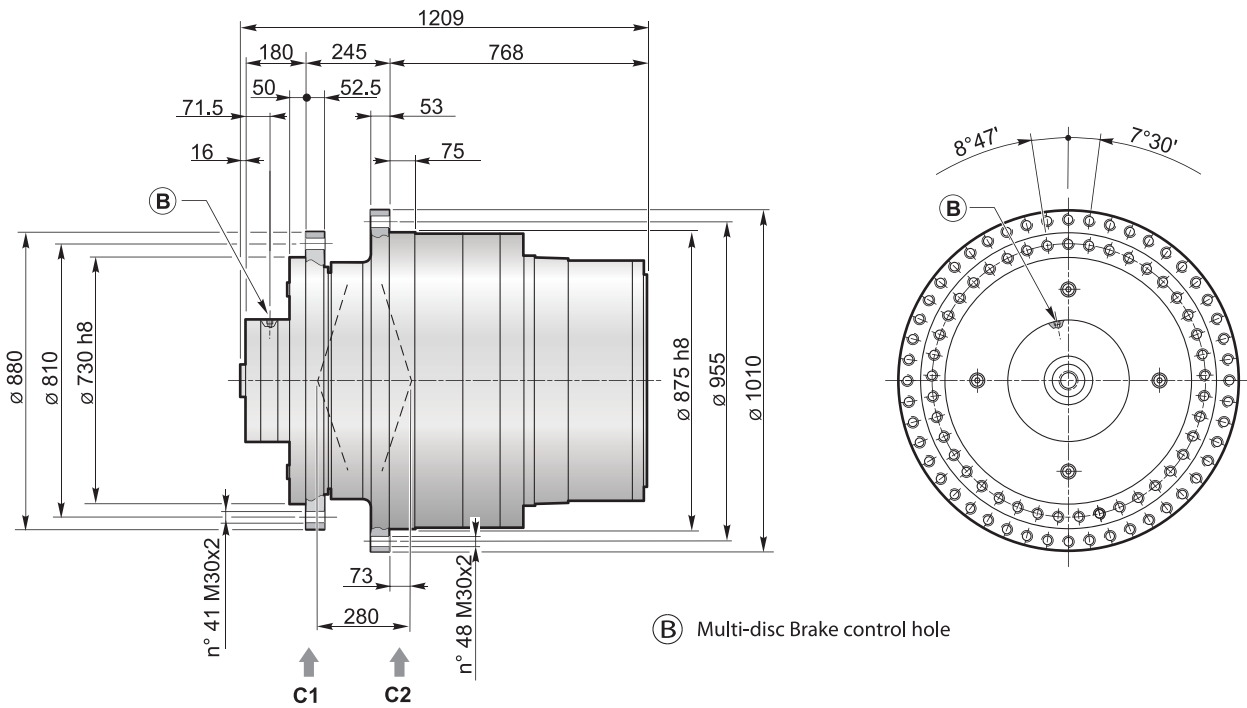
Hydraulic motor input on demand

Output dimension

Maximum output torque [Nm]	Capacity of bearings		Weight without motor [kg]	Oil Quantity [liters]	Brake torque [Nm]	Opening pressure [bar]	Max. brake pressure [bar]
	Cd dynamic [kN]	CO static [kN]					
685000	1380	3050	3120	50	4000±1300	30±20	300

Effective Reduction Ratio

330.7	373.1	442.3	499
-------	-------	-------	-----



Hydraulic motor input on demand

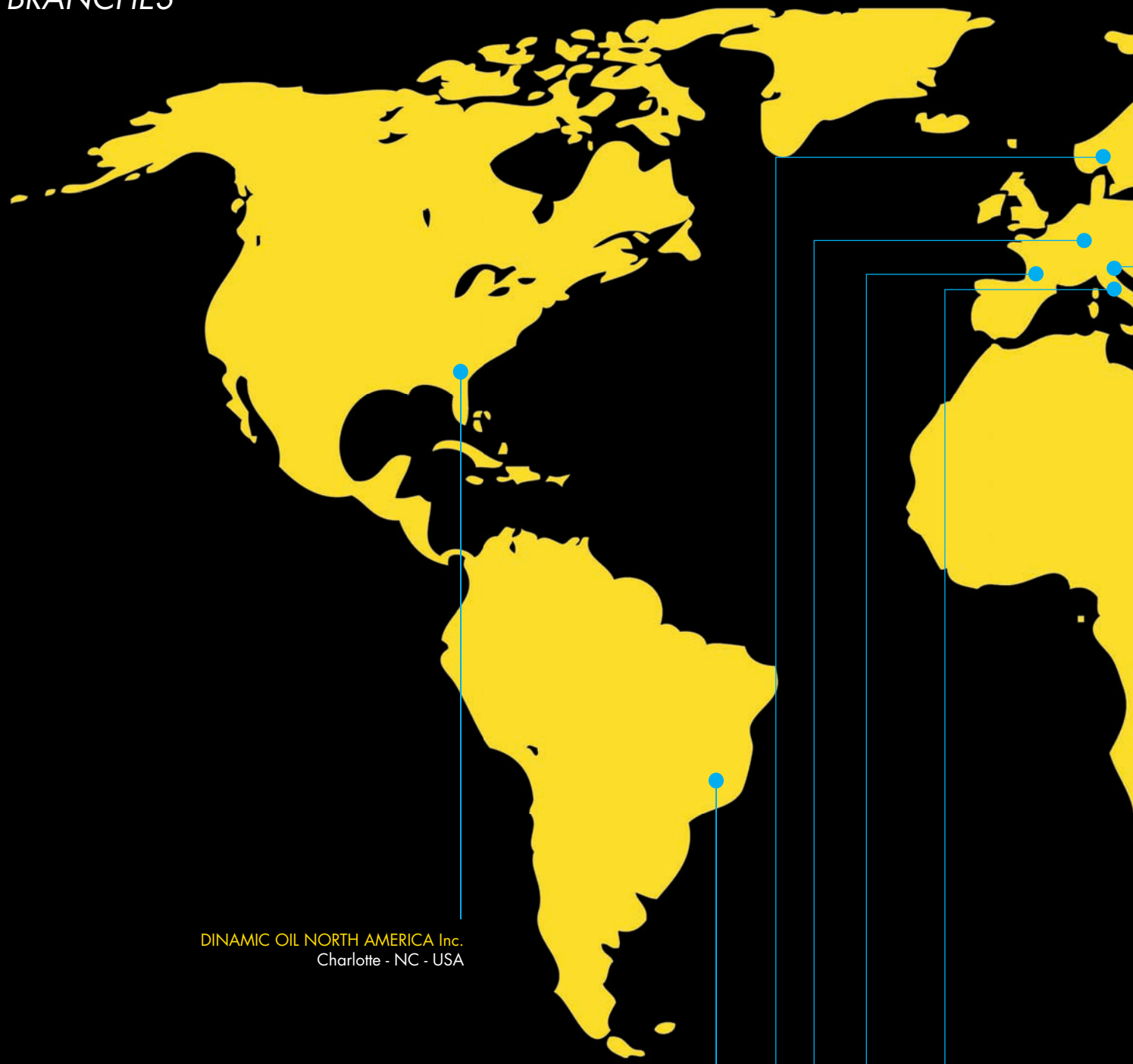
Output dimension

Maximum output torque	Capacity of bearings		Weight without motor	Oil Quantity	Brake torque	Opening pressure	Max. brake pressure
	Cd dynamic [kN]	C0 static [kN]					
[Nm]			[kg]	[liters]	[Nm]	[bar]	[bar]
865000	1380	3050	3120	50	4000÷1700	30÷20	300

Effective Reduction Ratio

287	323.8	368.6	415.8	437.7	493.7
-----	-------	-------	-------	-------	-------

BRANCHES



DINAMIC OIL NORTH AMERICA Inc.
Charlotte - NC - USA

DINAMIC OIL BRASIL Inc.
São Paulo - Brasil

DINAMIC OIL NORWAY A/S
Frogner - Norway

DINAMIC OIL DEUTSCHLAND GmbH
Frankfurter - Germany

DINAMIC OIL FRANCE
Charvieu Cedex - France

DINAMIC OIL S.p.A.
Bomporto - Modena - Italy
Headquarters



DINAMIC OIL TRIVENETO
Rovigo - Italia

DINAMIC OIL INDIA Pvt. Ltd.
Haryana - India

DINAMIC OIL ASIA PACIFIC Pte. Ltd.
Singapore

DINAMIC OIL (Shanghai) MACHINERY Co. Ltd.
Shanghai - China

Dinamic Oil S.p.A.

Via Togliatti, 15
41030 Bomporto - MO - Italy
T: +39 059 812611
F: +39 059 812603
E: info@dinamicoil.it
dinamicoil.com

Dinamic Oil Norway A/S

Lindebergveien, 3
2016 Frogner - Norway
T: +47 63 82 50 40
F: +47 63 82 50 41
E: DinamicOil.Norway@dinamicoil.com

Dinamic Oil India Pvt. Ltd.

Sales Office:
909 (9th Floor) Devika Tower
6-Nehru Place
110019 New Delhi - India
T: +91 (11) 40166567
E: india@dinamicoil.com

Dinamic Oil France

ZI Montbertrand BP 3612
38236 Charvieu Cedex - France
T: +33 (0) 472 462 318
F: +33 (0) 472 462 327
E: dinamicoil@orange.fr

Dinamic Oil North America Inc.

511 Eagleton Downs Drive
Charlotte - NC
28134 - USA
T: +1 704 587 4600
F: +1 980 939 6297
E: info.usa@dinamicoil.com

**Dinamic Oil (Shanghai)
Machinery Co. Ltd.**

Building 2, N°128 Lane 168 Dieqiao Rd.
Kangqiao Industry Park Pudong
201319 Shanghai - China
T: 0086 21 6818 7100
F: 0086 21 6818 7107
E: info@dinamicoil.com.cn

Dinamic Oil Deutschland GmbH

Frankfurter Straße 151 b
D - 63303 Dreieich-Sprendlingen
T: +49 (0) 6103 2024593
F: +49 (0) 6103 8077239
E: verkauf@dinamicoil.de

Dinamic Oil Asia Pacific Pte. Ltd.

47L Tuas South Avenue, 1
637249 - Singapore
T: +65 6791 0802
F: +65 6791 2661
E: sales@dinamicoilap.com.sg

戴纳密克（上海）机械有限公司

中国上海浦东康桥工业园区
叠桥路168弄128号2栋1楼
邮编：201319
电话：0086 21 6818 7100
传真：0086 21 6818 7107
邮件：info@dinamicoil.com.cn