

Company Profile



The Flexible Thinking Company





SINCE 1970

Mission

Maintaining and improving our “flexible thinking” to offer the best customized solutions on the market and to globalize our company. Improving our quality standards and internal procedures. Becoming a partner of major OEMs. Opening new subsidiaries in main markets that are still not adequately covered.

Company History

1970 Company Foundation.
Production of Radial
Piston Motors.

1973 Production of
Hydraulic Winches.

1990
Acquisition of Oildrive.
**Planetary gearbox, orbit
motor and wheel drive
manufacturer, established
in 1981.**

1992
Acquisition of Oliostip
Radial piston motor
manufacturer,
established in 1970

1996
ISO 9001
Quality certification

2001
Acquisition of gearbox
division of GB Ricamb.
**High torque planetary
gearbox manufacturer.**

2004
Dinamic Oil China
opens in Shanghai.

Four decades of **EXPERIENCE**

DinamicOil, established in 1970, is an Italian manufacturer of hoisting winches and planetary gearboxes. With 45 years of experience constantly improved by research and development, we have adopted a “**flexible thinking**” approach that allows us to **offer customized solutions** for industrial applications and mobile machines. Dinamic Oil, with headquarters in Modena, has consolidated its position on the international market, where it now has three production units, 8 subsidiaries in **Europe**, the **Americas** and **Asia** and an **extensive network of distributors** around the world. Human relations in business are a major part of what makes a business work. Ease of communication, talented people with expertise, and a friendly approach combined with our “**flexible thinking**” and culture of innovation are the ingredients of our company philosophy and the reason for our success.

MARKETS

- CIVIL ENGINEERING

- DRILLING

- ENERGY

- INDUSTRIAL

- MARINE

- MOBILE

- OIL & GAS

- SUGAR MILL

- MINING



2005

Dinamic Oil New Plant. Acquisition of new production plant in Bomperto MODENA.

2008

Dinamic Oil India opens in Delhi.

2010

Dinamic Oil North America opens in Charlotte (NC).

2011

Dinamic Oil Asia Pacific opens in Singapore.

2013

Dinamic Oil Norway opens in Oslo.

2021

Dinamic Oil Italia new plant of 2000 mqs. New warehouse for raw materials.

2023

Dinamic Oil India new plant of 12.000 mqs.

2024

Dinamic Oil Korea opens in Incheon, South Korea e **NEW PHOTOVOLTAIC PLANT**

PRODUCT RANGE

Thanks to our “flexible thinking”, Dinamic Oil winches and gearboxes are ideal for driving all industrial systems and self-propelled machines such as crawler cranes, loader cranes, tunnel boring machines (TBM), biogas plants, palm oil crystallizers, conveyors, deck cranes, jack-up systems, tensioners, and cane mills. In every application where “application engineering” is an added value, Dinamic Oil offers innovative and advanced solutions for maximum operative efficiency.

MECHANICAL TRANSMISSION

Planetary Gearboxes
Slewing Drives
Winch Drives
Track Drives
Wheel Drives

WINCHES

Hydraulic Hoisting Winches
Motor Drums
Electric Winches
Hydraulic Pulling Winches



PRODOTTI - **PRODUCTS**

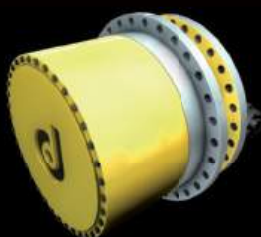
Trasmissioni - **Transmissions**



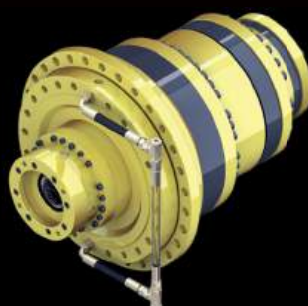
Riduttori Epicicloidali
Planetary Gearboxes



Riduttori per Rotazione
Slewing Gearboxes



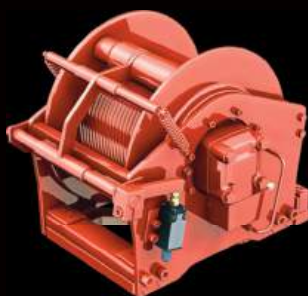
Riduttori Cingolo
Track Drives



Riduttori Epicicloidali per Argani
Planetary Winch Drives

PRODOTTI - **PRODUCTS**

Argani - **Winches**



Argani Idraulici
Hydraulic Winches



Argani Speciali
Special Winches



Argani da Edilizia
TowerCrane Winches



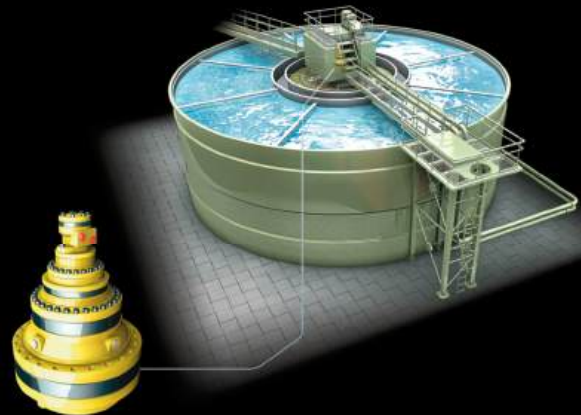
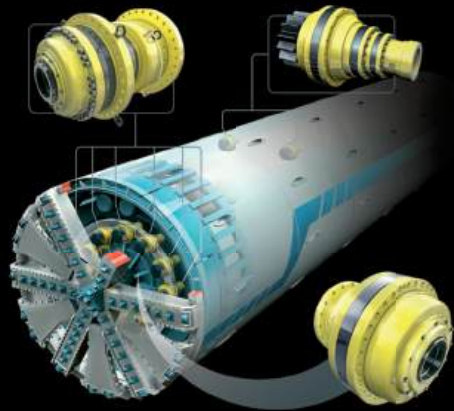
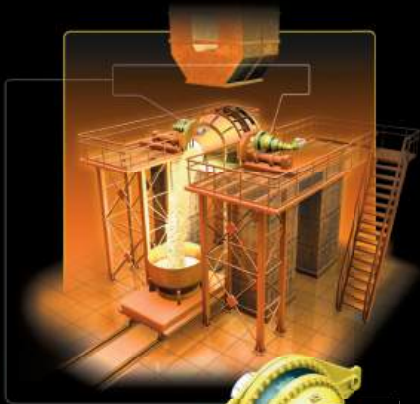
Moto Tamburi
Motor Drums

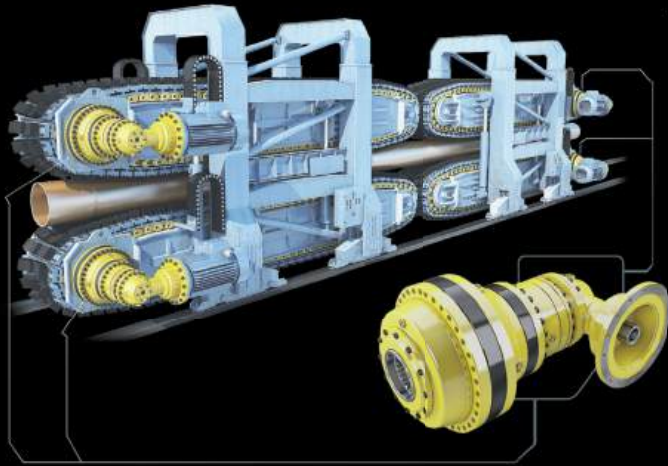
TRASMISSIONI - TRANSMISSIONS



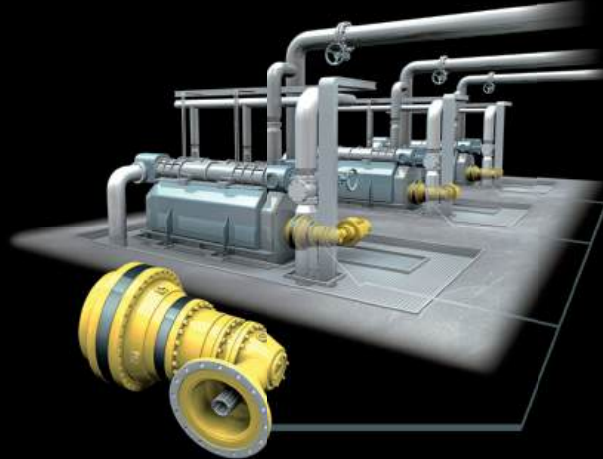
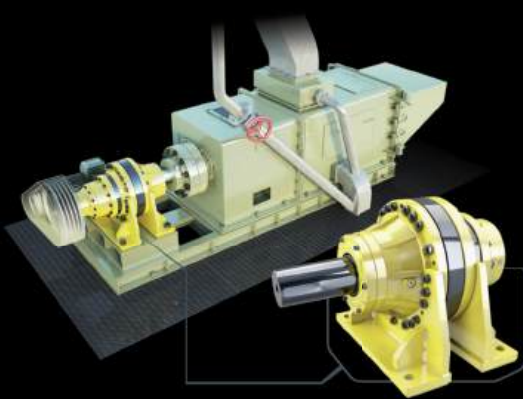
Riduttori Epicycloidali - Planetary Gearboxes

Grandezze Size	RE 110	RE 210	RE 240	RE 310	RE 510	RE 610	RE 810	RE 1020	RE 1520	RE 2000	RE 2520	RE 3000	RE 3510	RE 4800	RE 6000	RE 8000	GB 12010	GB 16000
T _{iso} (Nm)	800	1.600	2.200	2.500	5.000	6.700	8.100	11.800	16.900	23.900	28.400	37.000	41.900	54.500	58.700	86.700	130.000	175.000

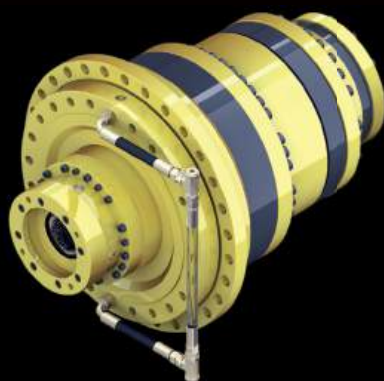




GB 21000	GB 26000	GB 31000	GB 40000	GB 45000	GB 53000	GB 61000	GB 85000	GB 110000	GB 130000	GB 150000	GB 205000	GB 235000
205.000	235.000	290.000	360.000	466.000	572.000	705.000	897.000	977.000	1.205.000	1.470.000	2.050.000	2.350.000



TRASMISSIONI - TRANSMISSIONS

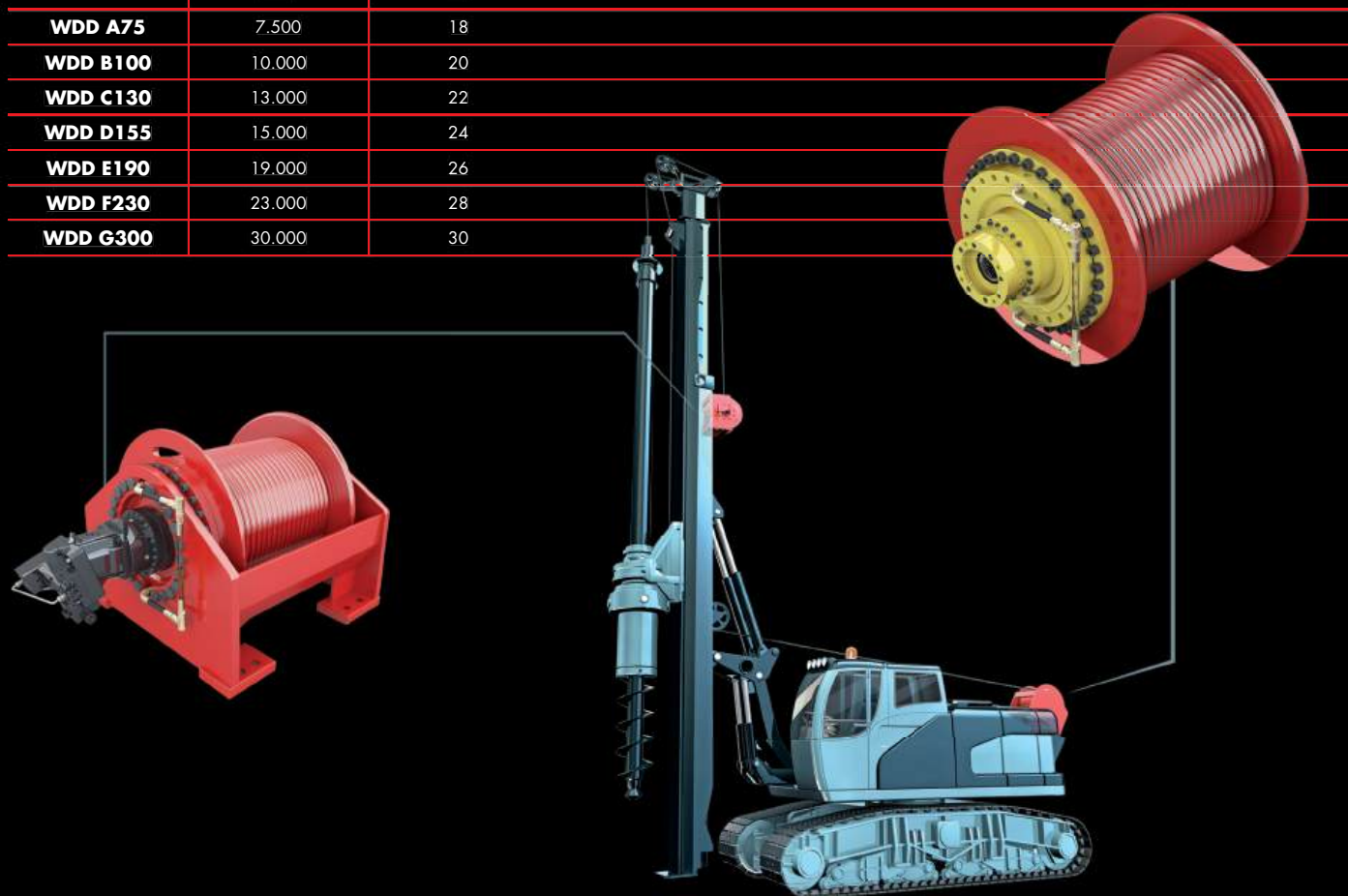


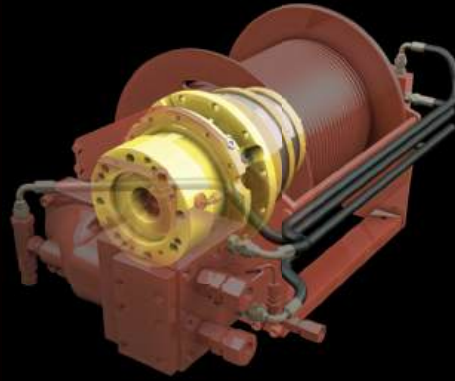
Riduttori Epicicloidali per Argano - Planetary Winch Drives

Grandezze Size	WD 1020	WD 1520	WD 2000	WD 2520	WD 3000	WD 4800	WD 8000
T ₂ FEM (Nm)	18.000	26.000	34.000	44.000	48.000	70.000	97.000

Moto Tamburi - Motor Drums

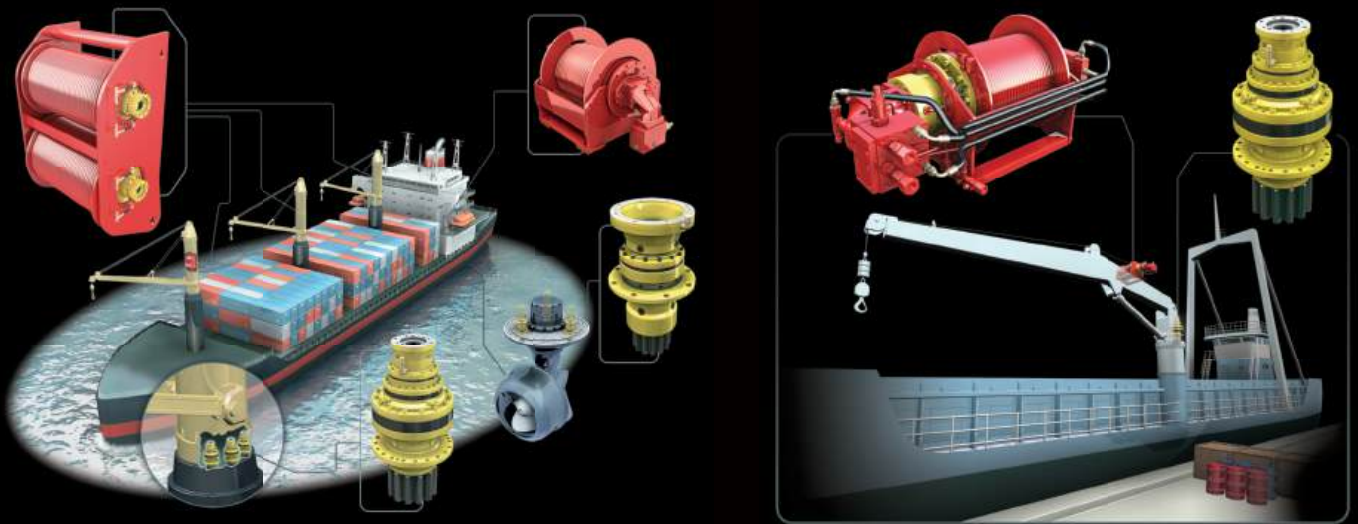
Tipo Type	Tiro Max Primo Strato Max Pull on 1st Layer	Diametro Fune Rope Size
	daN	mm
WDD A75	7.500	18
WDD B100	10.000	20
WDD C130	13.000	22
WDD D155	15.000	24
WDD E190	19.000	26
WDD F230	23.000	28
WDD G300	30.000	30





Riduttori Epicicloidali per Argano - **Planetary Winch Drives**

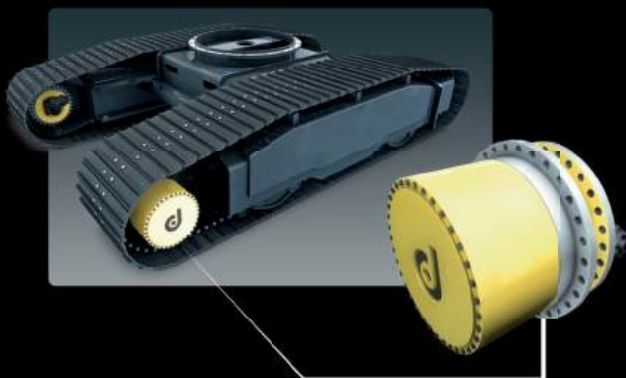
Grandezze Size	RW 510	RW 610	RW 810	RW 1020	RW 1520	RW 2520
T ₂ FEM (Nm)	7.500	10.000	12.500	18.000	25.000	43.000



Riduttori per Rotazione - **Slewing Gearboxes**

Grandezze Size	RE 240	RE 510	RE 610	RE 1020	RE 1520	RE 2000	RE 2520	RE 3000	RE 3510	RE 4800	RE 6000	RE 8000	GB 12010
T ₂ FEM (Nm)	4.350	10.000	12.500	24.000	33.000	52.000	54.000	79.000	75.000	100.000	115.000	160.000	210.000

TRASMISSIONI - TRANSMISSIONS



Riduttori Cingolo - TrackDrives

Grandezze Size	EH 10000 SC	EH 13000 SC	EH 16000 SC	EH 22000 SC	EH 26000 SC	EH 33000 SC	EH 33000 W	EH 45000 SC	EH 60000 W	EH 70000 SC
T ₂ MAX (Nm)	100.000	150.000	170.000	240.000	280.000	350.000	350.000	450.000	685.000	865.000



Riduttori Ruota e Cingolo - Wheel and TrackDrives

Grandezza Size	i	T MAX (Nm)	Azionamento Ruota Wheel Drive	Azionamento Cingolo Track Drive	Freno Negativo Negative Brake	Disinnesto Freewheel	Motori Accoppiabili MotorAdapters			
							OMRS	SAE A1"6B	SAE A16/32 z13	IEC90-112
GR	80	5,2	1.500	•	•	•	•			
GR	200	6,2	2.500	•	•	•	•			
EH	211	6,2	2.500	•	•	•	•	•	•	•
EH	212	14÷29	3.200	•	•	•	•	•	•	•
EH	242	12÷31	3.600	•	•	•	•	•	•	•

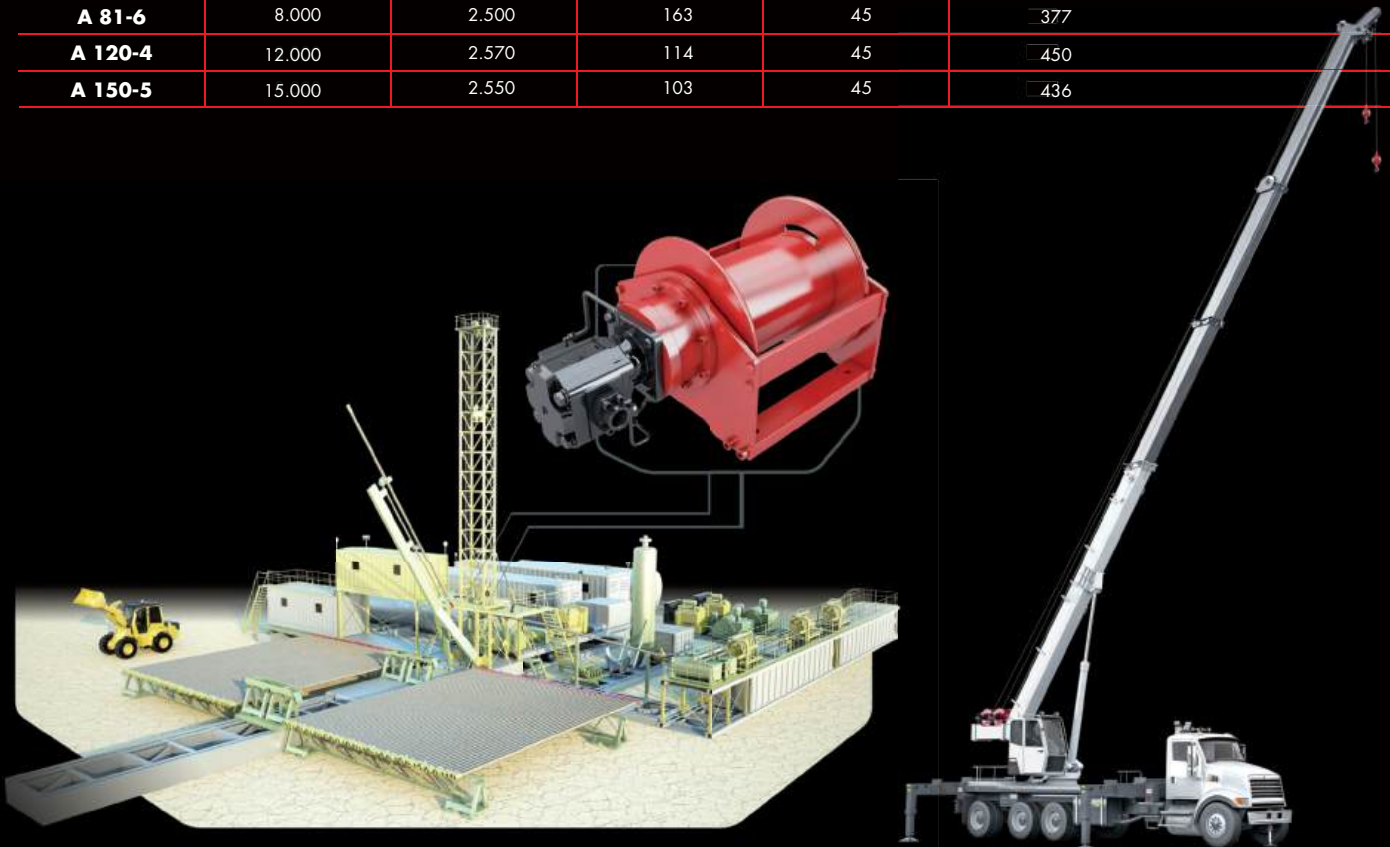


ARGANI - WINCHES



Argani da Sollevamento serie A - A Series Hoisting Winches

Tipo Type	Tiro Max Ultimo Strato Max Pull on Drum	Pressione Sollevamento Lifting Pressure	Velocità Sollevamento Lifting Speed	Portata di alimentazione Oil Flow	Quantità Fune Rope Length
	lbs	PSI	fpm	GPM	FT
A					
A 11	1.100	2.250	164	7,7	165
A 18	1.800	2.300	102	7,7	165
A 24	2.400	2.450	82	7,7	97
A 30	3.000	2.250	140	15	97
A 44	4.400	2.450	141	20	173
A 55	5.500	2.550	61	10	131
A 60	6.000	2.650	103	17	124
A 62-3	6.000	2.450	90	21	403
A 62-4	6.000	2.100	100	27	403
A 80	8.000	2.650	76	17	258
A 81-5	8.000	3.000	195	45	377
A 81-6	8.000	2.500	163	45	377
A 120-4	12.000	2.570	114	45	450
A 150-5	15.000	2.550	103	45	436



ARGANI - WINCHES

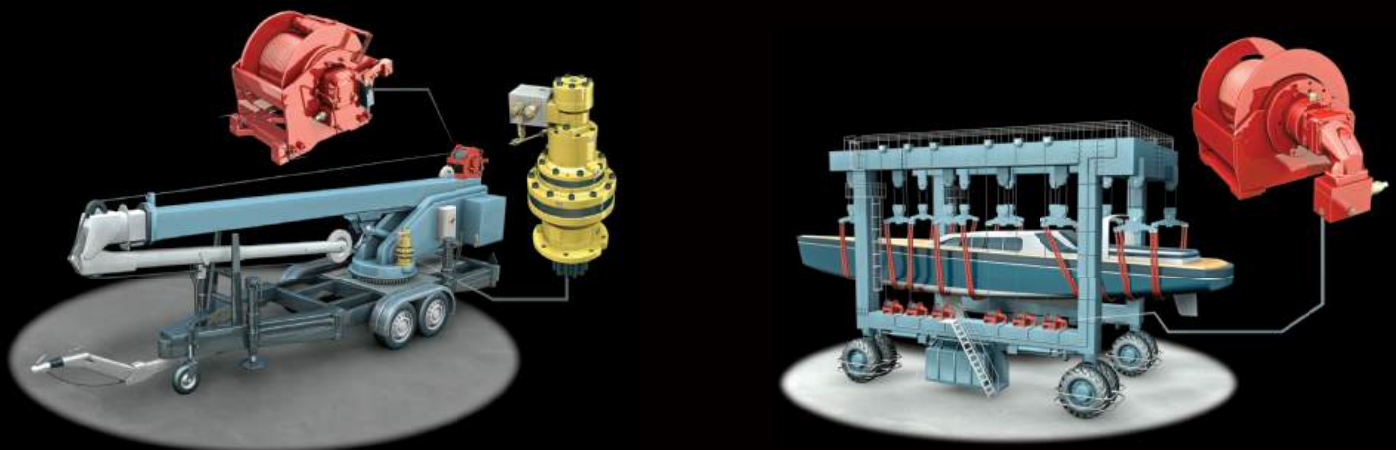
Argani da Sollevamento - Hoisting Winches

Tipo Type	Tiro Max Ultimo Strato Max Pull on Last Layer	Pressione Sollevamento Lifting Pressure	Velocità Sollevamento Lifting Speed	Portata di alimentazione Oil Flow	Quantità Fune Rope Length
	daN	bar	m/min.	L/min.	m
NP					
NP 05	400	155	41	20	53
NP 08	630	155	25	20	46
NP 10	920	165	19	20	30
NP 12	1.100	155	15	20	30
NPA 18	1.130	180	25	30	51
NPA 19	1.250	165	12	18	51
A					
A 30	1.000	155	54	57	51
A 44	1.530	170	56	76	51
A 60	2.000	185	42	64	46
A 80	2.645	175	21	45	80
P					
P 6	600	115	30	30	57
P 6/E	800	100	25	40	50
P 9	900	145	34	40	68
P 9/E	1.170	150	35	50	55
P 15	1.600	170	37	60	57
P 15/E	1.950	175	30	60	48



Argani da Sollevamento - Hoisting Winches

Tipo Type	Tiro Max Ultimo Strato Max Pull on Last Layer	Pressione Sollevamento Lifting Pressure	Velocità Sollevamento Lifting Speed	Portata di alimentazione Oil Flow	Quantità Fune Rope Length
	daN	bar	m/min.	L/min.	m
S					
S 15	1.570	205	40	45	57
S 19	1.900	205	45	60	48
S 20	2.000	225	48	60	76
S 25	2.500	235	40	60	66
S 27	2.750	200	31	60	66
S 30/2	3.000	215	40	80	88
S 35/2	3.500	210	33	80	83
S 45/2	4.500	230	35	100	103
S 45V/2	4.500	255	63	160	103
SE					
SE 20/3	1.875	225	52	60	94
SE 20/3 V	1.875	215	100	125	94
SE 25/3	2.500	235	40	60	63
SE 25/3 V	2.500	235	82	125	63
SE 27/3	2.750	200	31	60	63
SE 27/3 V	2.750	220	69	125	63
SE 30	3.000	215	40	80	88
SE 30 V	3.000	235	88	180	88
SE 35	3.500	210	33	80	83
SE 35 V	3.500	235	75	180	83
SE 45	4.500	230	35	100	103
SE 45 V	4.500	260	70	180	103
SRD					
SRD A60	6.200	265	54	180	121
SRD B80	8.000	285	45	180	129
SRD C100	10.000	275	42	220	147
SRD D120	12.000	285	38	230	180
SRD E150	15.000	290	33	250	183
SRD F180	18.000	295	28	250	186
SRD G230	23.000	290	21	250	194

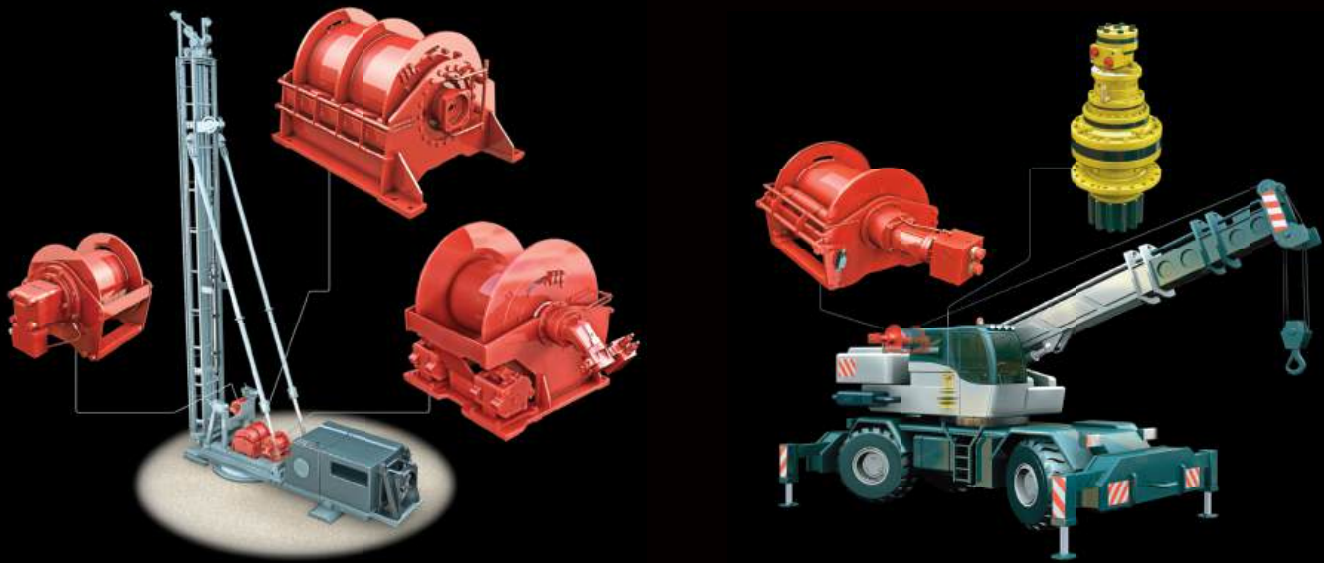


ARGANI - WINCHES

Argani Speciali SW - Special Winches SW

Dinamic Oil realizza argani speciali, ad azionamento idraulico o elettrico, secondo le specifiche richieste del cliente con tiri fino a 30 tonnellate ed eventualmente oltre. Il prodotto, personalizzato per soddisfare completamente le esigenze dell'applicazione in termini di prestazioni e dimensioni, mantiene prezzi competitivi ed un'elevata affidabilità grazie all'impiego dei componenti standard della produzione di serie.

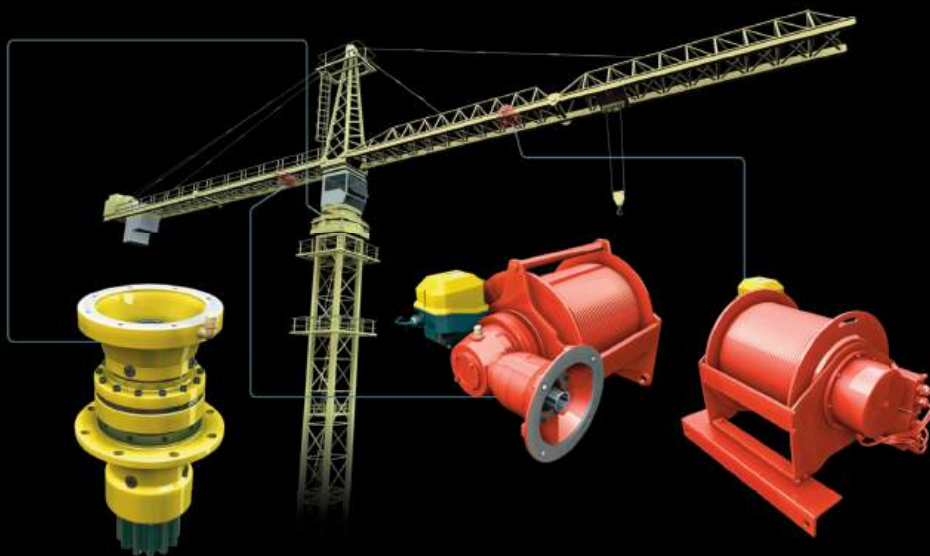
Dinamic Oil produces special winches, for hydraulic and electric systems, according to the customers specific requirements with line pulls up to 30 TONS and eventually more. The product, personalized to completely satisfy the application requirements in terms of performance and size, maintains competitive pricing and a superior product reliability thanks to the use of standard components from our production series.



Argani da Edilizia - Tower Crane Winches

Dinamic Oil produce una serie completa di argani ad azionamento elettrico destinati al settore delle gru edili: l'azionamento del sollevamento e quello della traslazione del carrello sono realizzati da prodotti studiati su misura in base alle esigenze del cliente. Questa gamma è caratterizzata dalla compattezza delle dimensioni e dalle elevate prestazioni.

Dinamic Oil produces a complete series of winches, for hydraulic and electric systems, dedicated to the tower crane sector: the lifting and translation winches were developed according to the clients specific requirements. This series is characterized by its compactness and elevated performances.



Verricelli da Traino - **Pulling Winches**

Tipo Type	Tiro Max Ultimo Strato Max Pull on Last Layer daN	Pressione Sollevamento Lifting Pressure	Velocità Sollevamento Lifting Speed	Max Portata di alimentazione Max Oil Flow	Quantità Fune Ultimo Strato 4 th Layer Rope Length
		bar	m/min.	L/min.	m
T 27	2.700	150	21	45	35
T 36	3.600	145	16	45	30
T 46	4.600	180	16	45	30
T 60	6.000	175	13	45	40
T 100	10.000	170	14	75	43
T 200	20.000	210	9	75	51
T 300	30.000	205	8	100	65



BRANCHES



DINAMIC OIL NORTH AMERICA Inc.
Charlotte - NC - USA

DINAMIC OIL BRASIL Inc.
São Paulo - Brasil

DINAMIC OIL NORWAY A/S
Frogner - Norway

DINAMIC OIL DEUTSCHLAND GmbH
Frankfurter - Germany

DINAMIC OIL FRANCE
Charvieu Cedex - France

DINAMIC OIL S.p.A.
Bomporto - Modena - Italy
Headquarters



DINAMIC OIL TRIVENETO
Rovigo - Italia

DINAMIC OIL INDIA Pvt. Ltd.
Haryana - India

DINAMIC OIL ASIA PACIFIC Pte. Ltd.
Singapore

DINAMIC OIL (Shanghai) MACHINERY Co. Ltd.
Shanghai - China

dinamic oil

dinamicoil.us

Rev. 2026/02

Dinamic Oil North America Inc.

4725 Entrance Drive. Suite A
Charlotte, NC 28273

T: +1 704 587 4600

F: +1 980 939 6297

E: info.usa@dinamicoil.com

W: www.dinamicoil.us